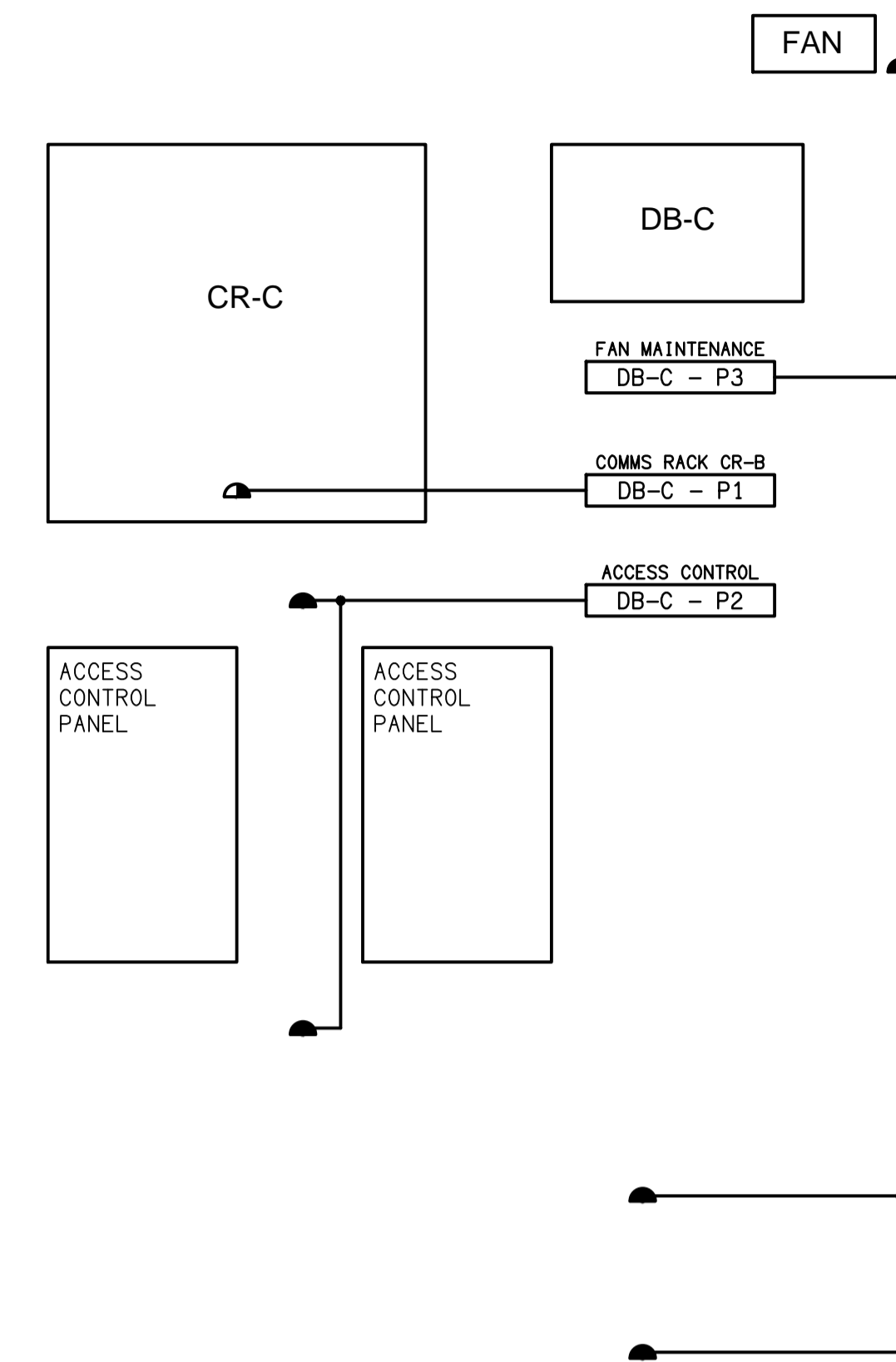
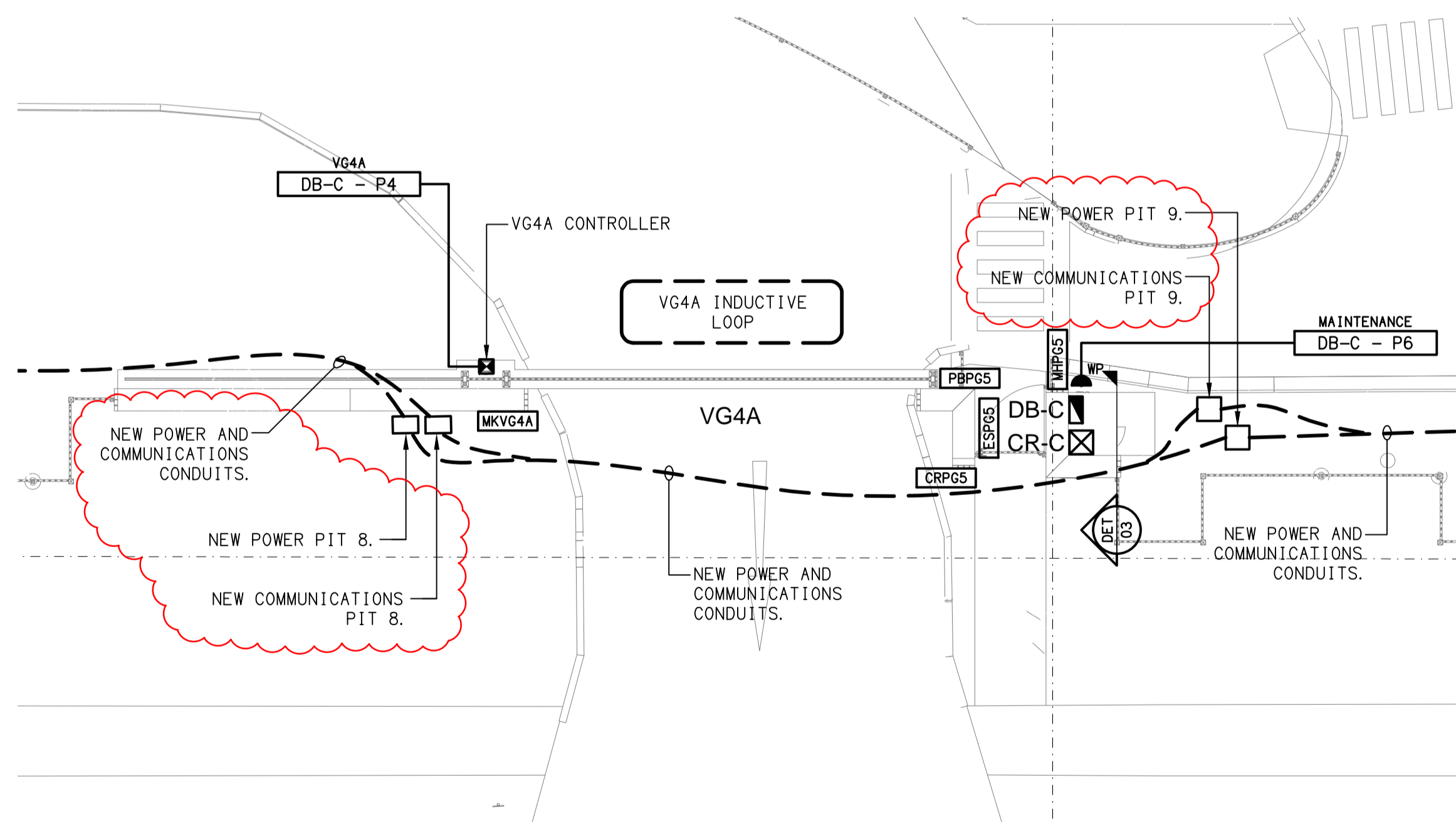


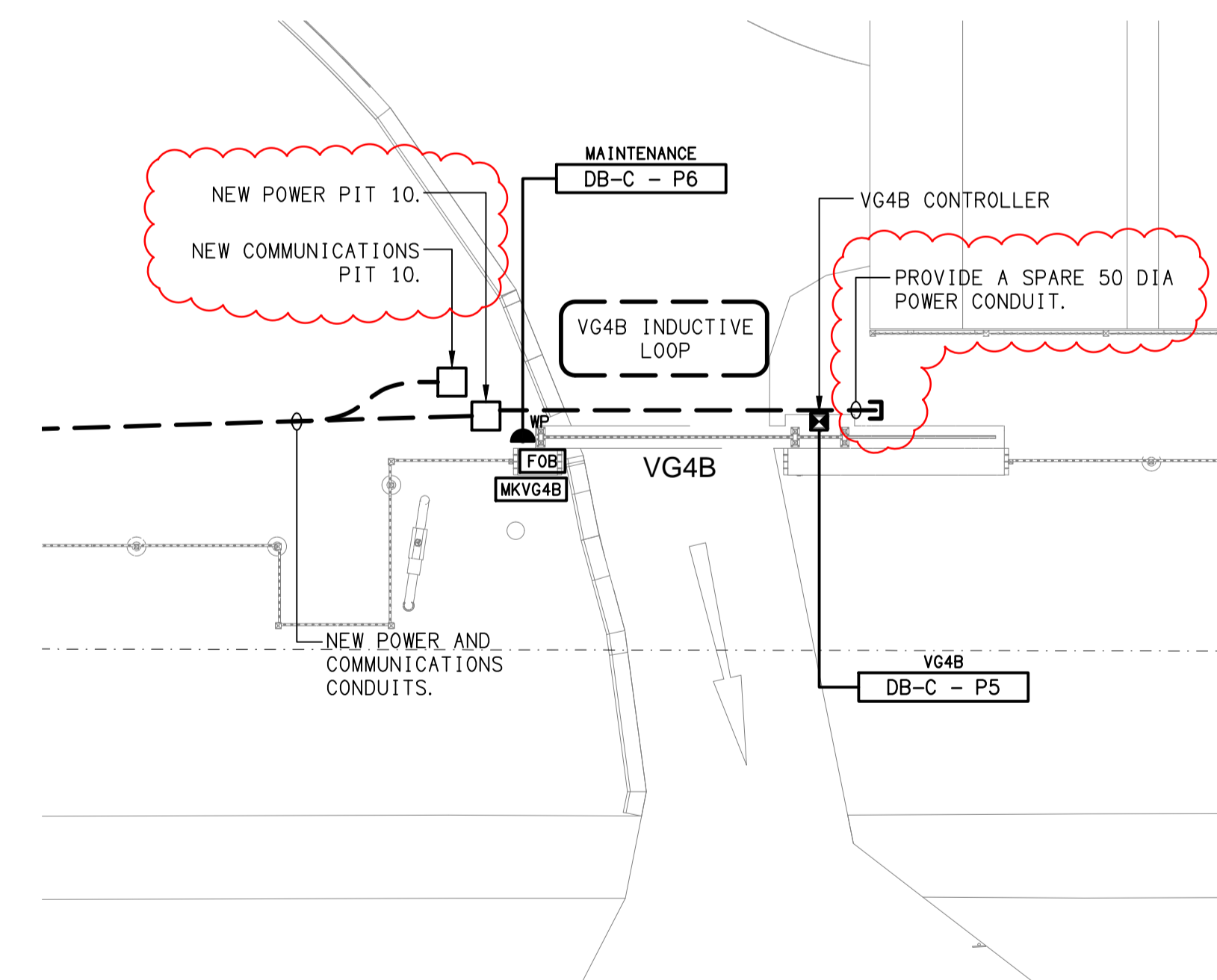
**ZONE F1 & G**  
GATE / ACCESS CONTROL  
SCALE 1:500



**DETAIL 03**  
CR-C / DB-C ELEVATION  
NOT TO SCALE



**DETAIL F1**  
GATE / ACCESS CONTROL  
SCALE 1:100



**DETAIL G**  
GATE / ACCESS CONTROL  
SCALE 1:100

ELECTRICAL DESIGN GROUP BRISBANE  
PTY LTD  
ACN 092 710 793  
TRADING AS:  
ELECTRICAL DESIGN GROUP

THE COPYRIGHT OF THIS DRAWING  
REMAINS THE PROPERTY OF THE  
ELECTRICAL DESIGN GROUP.  
USE FIGURED DIMENSIONS  
IN PREFERENCE TO SCALE.  
ALL DIMENSIONS TO BE  
VERIFIED ONSITE.

construction  
hospitality  
property  
**rohrig**  
rohrig.com.au

Rohrig (Qld) Pty Ltd  
ABN 67 093 753 970  
QBSA LIC NO 740842  
250 Abbotsford Road, Bowen Hills Qld 4006  
PO Box 86 Albion DC Qld 4010  
T+61 (7) 3257 4411 F+61 (7) 3257 2211  
www.rohrig.com.au

**ELECTRICAL DESIGN GROUP**  
ELECTRICAL BUILDING SERVICES CONSULTANTS  
BRISBANE GOLD COAST

P.O. Box 15, Sherwood Q. 4075  
Phone: (07) 3278 4375  
Email: brisbane@edg.net.au  
Web: www.edg.net.au

PROJECT:  
**ORMISTON COLLEGE  
FENCING MASTERPLAN**

97 DUNDAS STREET WEST, ORMISTON

E	CONSTRUCTION	25/11/2024
REV:	DESCRIPTION:	DATE:

DRAWING:  
**ELECTRICAL SERVICES  
ZONE F1 & G PLANS**

SCALE:  
1:500 & 1:100 AT A1

PROJECT NO: <b>C2642a</b>	DRAWING NO: <b>E05</b>	REVISION: <b>E</b>
------------------------------	---------------------------	-----------------------